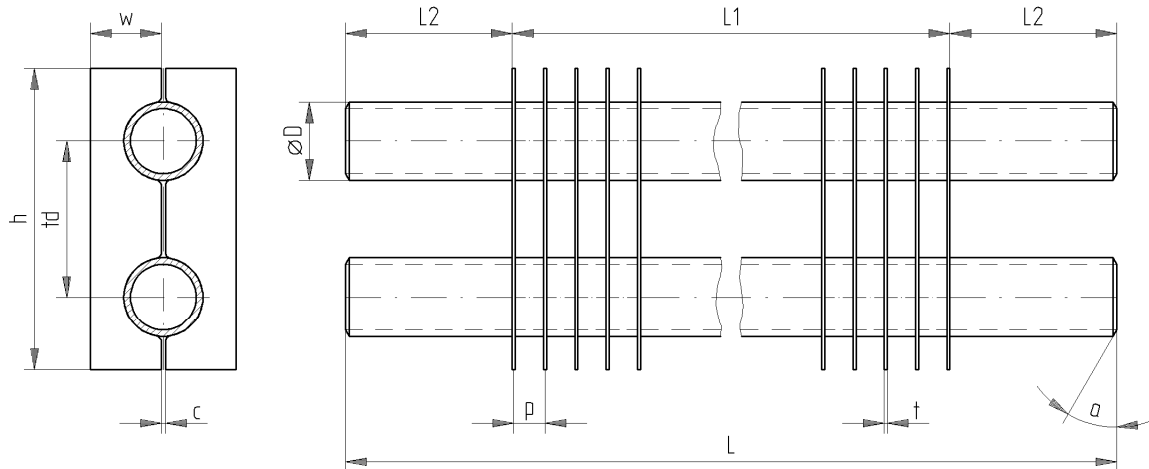




Rosink Double Finned Tubes



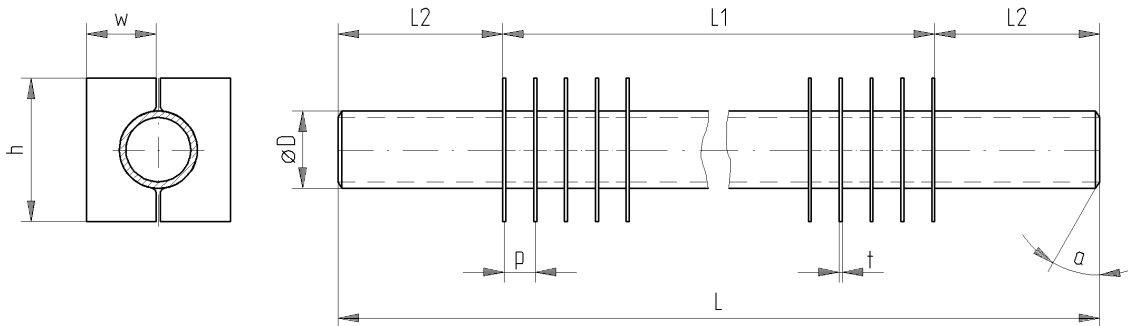
Dimensions (Standard Range) [mm]:

D mm	L (max.) mm	L2 (min.) Mm	h mm	w mm	c mm	t mm	td	p mm
31,8	16000	100	125	27	6	2 + 2,5	65	10-40
31,8	16000	100	145	32	6	2 + 2,5	75	10-40
38,0	16000	100	145	32	6	2 + 2,5	75	10-40
38,0	16000	100	180	40	10	2 + 2,5	92	10-40
44,5	16000	100	196	45	6	2 + 2,5	100	10-40

Other dimensions on request.



Rosink Single Finned Tubes



Dimensions (Standard Range) [mm]:

D mm	L (max.) mm	L2 (min.) mm	h mm	w mm	c mm	t mm	P mm
31,8	16000	100	60	27	6	2 + 2,5	10-40
31,8	16000	100	70	32	6	2 + 2,5	10-40
38,0	16000	100	70	32	6	2 + 2,5	10-40
44,5	16000	100	96	45	6	2 + 2,5	10-40

Other dimensions on request.

